

# Personnel Transfer System

## Technical data\*

### Transfer system

500 kg

Transport ability:	one person
Outreach:	15 m
Swivel angle:	≥ 270°
Load capacity:	500 kg (completely compensated for sea condition)
Drive:	hydraulic/electric with Fuzzy control and completely remote controlled
Redundancies:	Hydraulic: 2, Electric: 2, Remote control: in accordance to SGS
Operating condition:	3 m sign. wave height
Temperature range:	-20° C up to + 30° C
Rel. humidity:	100%
Wind:	7 bf.
Grade of protection:	IP 57 (Structure on the foundation), IP 67 (remote control)
De-icing:	Heating, spec. coating (optional)
Anti-corrosive effect.:	according DIN 55928 and EN ISO 12944
In case of emergency:	Reach basic position by means of hydraulic accumulator Additional as special equipment, e. g. emergency power supply.
Load transport:	regularly up to 500 kg
Option to carry heavy load:	2 t with chain hoist or similar - interlink point is prepared (optional)  > 2 t Special constructions according to customers wishes but need to be rigged separately

### Drive via:

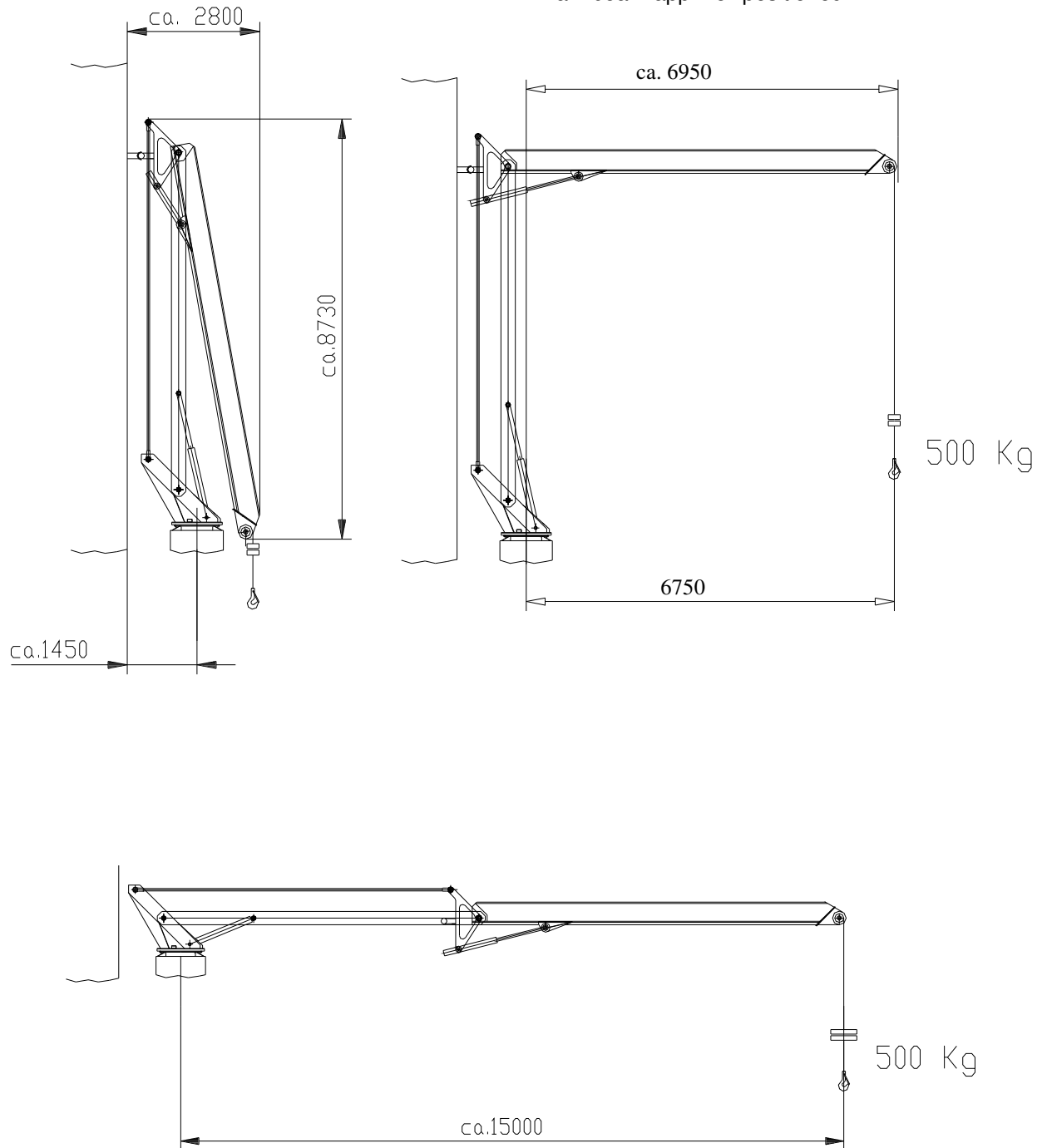
Manufacturer:	SEW
Type:	KAZ87DV160L4
Grade of protection:	IP 65
Power:	15 kW

### Options

Emergency power supply

\*Technical data at standard characteristics

Attention! Expansion space for pivoting radius app.  $R=6950$   
 $2 \times 135^\circ$   
Main beam app.  $75^\circ$  positioned.



Alteration in construction reserved!

## TEUPEN Maschinenbaugesellschaft mbH

Address: Marie-Curie-Strasse 13 - 48599 Gronau-GERMANY - Phone ++49 / 2562 / 8161-0 - Fax ++49 / 2562 / 8161-888  
P. O. Box: 1951 - 48580 Gronau-GERMANY

Internet: <http://www.teupen.info> - E-mail: [mail@teupen.info](mailto:mail@teupen.info)